

Hose clamp SGS



Usage

For fastening:

- Hoses to connections

Description

- Hose clamps for large clamping ranges with crimped band edges and rounded housing base.
- Versions W 1 zinc plated and W 2 stainless steel.
- W 1 quality obtainable in 9 mm and 12 mm width.

Advantages / Benefits

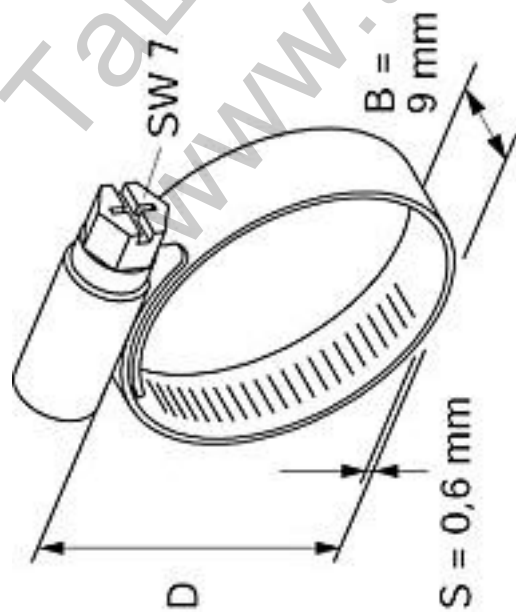
- Flexible band for optimal seat and sealing even with out-of-round connections and hoses.
- Short housing base for optimal adaptation and high uniformly distributed radial forces.

Installation

Installation tip

- The optimal tightening torque depends on hose diameter and hose material.
- The tightening torques are to be observed in accordance with the specified values.
- **Caution!** If the tightening torque is above the optimal value, the seal is endangered.

Technical data



Type	Art.-No.	ETA ■ ETA ● DIBt	Static tightening torque [Nm]	Clamping range <div class="h6">D</div> [mm]	Width x thickness clamp band <div class="h6">b x s</div> [mm]	Sales unit [pcs]	Outer carton [pcs]	GTIN (EAN Code)
SGS 9 W1 8 - 12	045501	-	2.0	8 - 12	9,0 x 0,6	100	100	4006209455012
SGS 9 W1 10 - 16	045502	-	2.0	10 - 16	9,0 x 0,6	100	100	4006209455029
SGS 9 W1 12 - 20	045503	-	3.0	12 - 20	9,0 x 0,6	100	100	4006209455036
SGS 9 W1 16 - 27	045504	-	3.0	16 - 27	9,0 x 0,6	100	100	4006209455043
SGS 9 W1 20 - 32	045505	-	3.0	20 - 32	9,0 x 0,6	100	100	4006209455050
SGS 9 W1 25 - 40	045506	-	3.0	25 - 40	9,0 x 0,6	100	100	4006209455067
SGS 9 W1 32 - 50	045507	-	3.0	32 - 50	9,0 x 0,6	100	100	4006209455074
SGS 9 W1 40 - 60	045508	-	3.0	40 - 60	9,0 x 0,6	25	25	4006209455081
SGS 9 W1 50 - 70	045509	-	3.0	50 - 70	9,0 x 0,6	25	25	4006209455098
SGS 9 W1 60 - 80	045510	-	3.0	60 - 80	9,0 x 0,6	25	25	4006209455104
SGS 9 W1 70 - 90	045511	-	3.0	70 - 90	9,0 x 0,6	25	25	4006209455111
SGS 9 W1 80 - 100	045512	-	3.0	80 - 100	9,0 x 0,6	25	25	4006209455128
SGS 9 W1 90 - 110	045513	-	3.0	90 - 110	9,0 x 0,6	25	25	4006209455135

Type	Art.-No.	  DIBt	Static tightening torque [Nm]	Clamping range [mm]	Width x thickness clamp band <div class="h6">b x s</div> [mm]	Sales unit [pcs]	Outer carton [pcs]	GTIN (EAN Code)
SGS 9 W1 100 -120	045514	-	3.0	100 - 120	9,0 x 0,6	25	25	4006209455142
SGS 9 W1 110 -130	045515	-	3.0	110 - 130	9,0 x 0,6	25	25	4006209455159
SGS 9 W1 120 -140	045516	-	3.0	120 - 140	9,0 x 0,6	25	25	4006209455166
SGS 9 W2 8 - 12	045517	-	2.0	8 - 12	9,0 x 0,6	100	100	4006209455173
SGS 9 W2 10 - 16	045518	-	2.0	10 - 16	9,0 x 0,6	100	100	4006209455180
SGS 9 W2 12 - 20	045519	-	3.0	12 - 20	9,0 x 0,6	100	100	4006209455197
SGS 9 W2 16 - 27	045520	-	3.0	16 - 27	9,0 x 0,6	100	100	4006209455203
SGS 9 W2 20 - 32	045521	-	3.0	20 - 32	9,0 x 0,6	100	100	4006209455210
SGS 9 W2 25 - 40	045522	-	3.0	25 - 40	9,0 x 0,6	100	100	4006209455227
SGS 9 W2 32 - 50	045523	-	3.0	32 - 50	9,0 x 0,6	100	100	4006209455234
SGS 9 W2 40 - 60	045524	-	3.0	40 - 60	9,0 x 0,6	25	25	4006209455241
SGS 9 W2 50 - 70	045525	-	3.0	50 - 70	9,0 x 0,6	25	25	4006209455258
SGS 9 W2 60 - 80	045526	-	3.0	60 - 80	9,0 x 0,6	25	25	4006209455265
SGS 9 W2 70 - 90	045527	-	3.0	70 - 90	9,0 x 0,6	25	25	4006209455272
SGS 9 W2 80 -100	045528	-	3.0	80 - 100	9,0 x 0,6	25	25	4006209455289
SGS 9 W2 90 -110	045529	-	3.0	90 - 110	9,0 x 0,6	25	25	4006209455296
SGS 9 W2 100 -120	045530	-	3.0	100 - 120	9,0 x 0,6	25	25	4006209455302
SGS 9 W2 110 -130	045531	-	3.0	110 - 130	9,0 x 0,6	25	25	4006209455319
SGS 9 W2 120 -140	045532	-	3.0	120 - 140	9,0 x 0,6	25	25	4006209455326